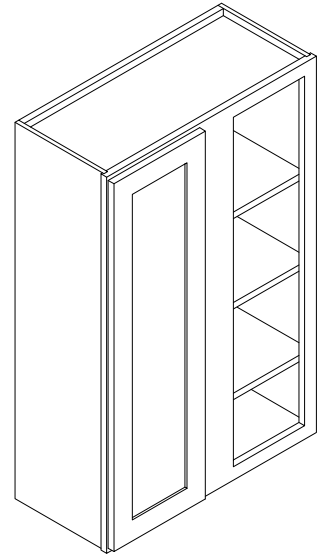




ASSEMBLY INSTRUCTIONS

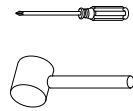
WB2742



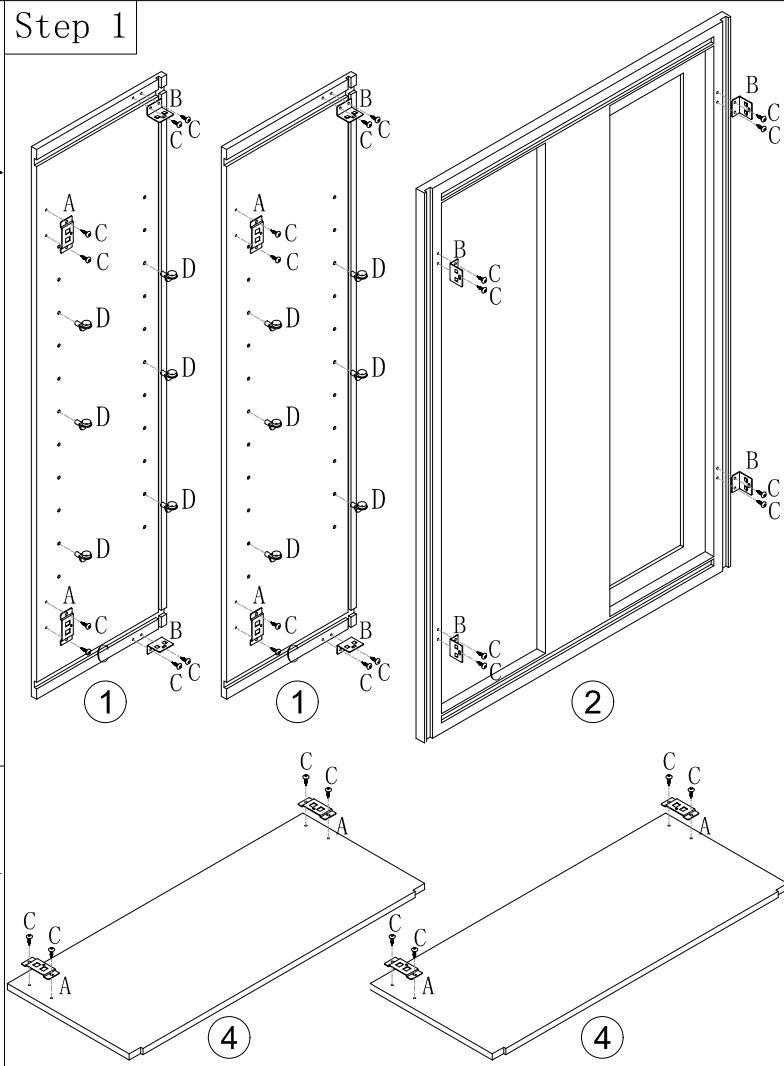
Parts list

NO.	Parts	QTY
A		8
B		8
C		40
D		12
E		2

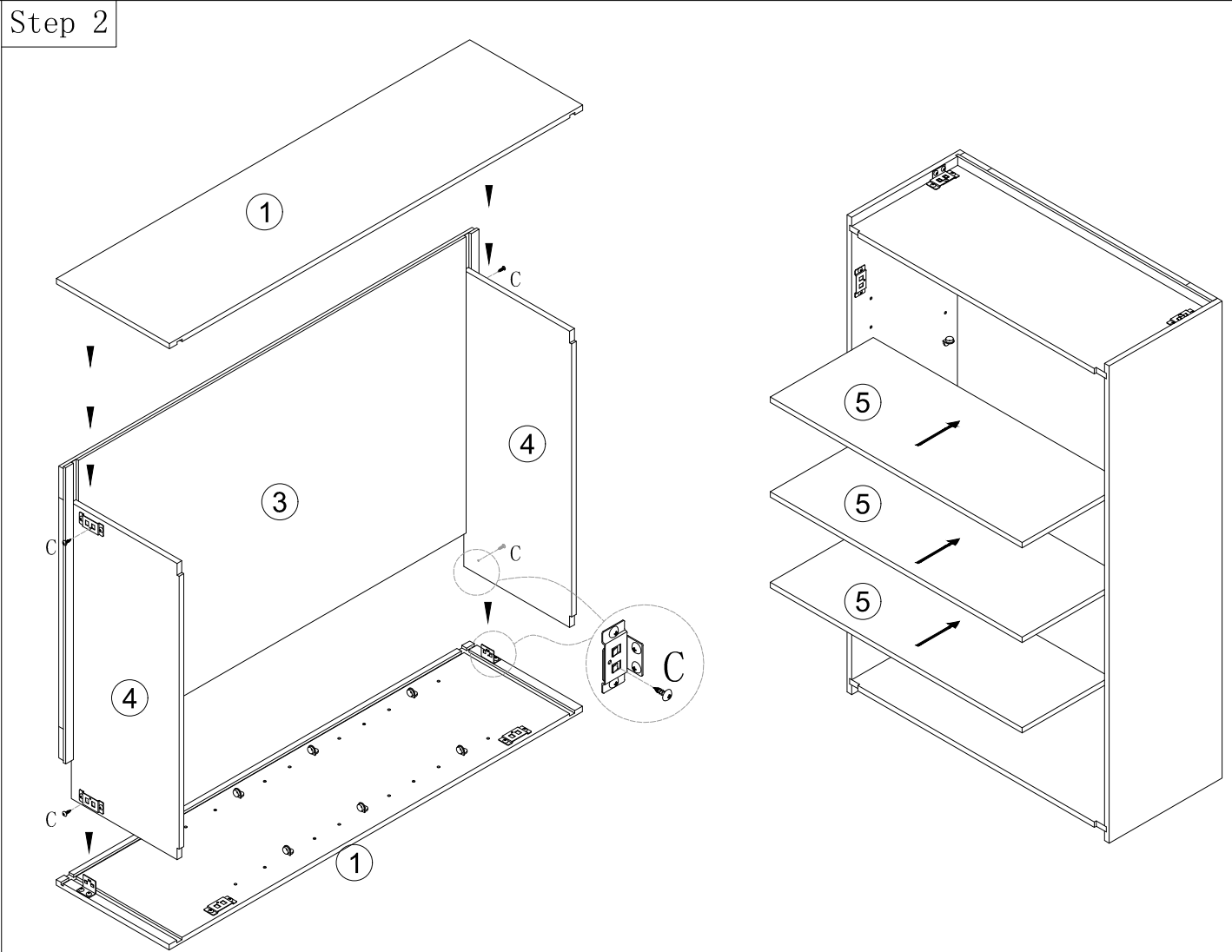
Tools (required but not provided)



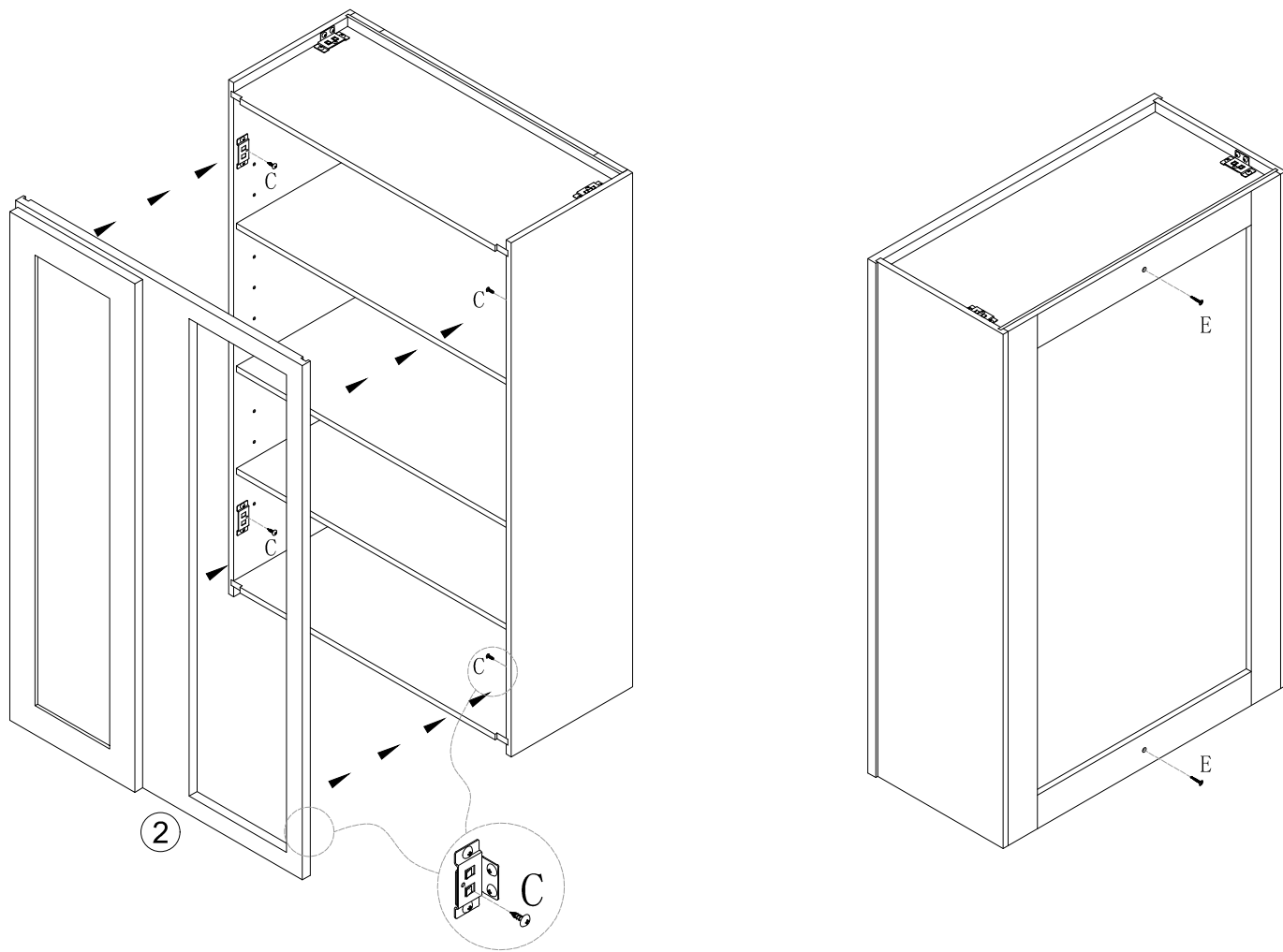
Step 1



Step 2



Step 3



Finished

